

2. Specifications

2.1 Specification Sheet

Parameter	Unit	Value	
Model		GWH09UB-K3DNA4F	
Product Code		CB264000600	
Power Supply	Rated Voltage	V~	220-240
	Rated Frequency	Hz	50
	Phases		1
Power Supply Mode		Outdoor	
Cooling Capacity	W	2600	
Heating Capacity	W	3000	
Cooling Power Input	W	600	
Heating Power Input	W	800	
Cooling Power Current	A	2.7	
Heating Power Current	A	3.5	
Rated Input	W	1630	
Rated Current	A	6.5	
Air Flow Volume (SH/H/MH/M/ML/L/SL)	m ³ /h	650/530/470/400/350/300/290	
Dehumidifying Volume	L/h	0.8	
EER	W/W	4.33	
COP	W/W	3.75	
SEER		7.5	
SCOP		4.6	
Application Area	m ²	12-18	
Indoor Unit	Model		GWH09UB-K3DNA4F/I(Cold Plasma)
	Product Code		CB264N00600
	Fan Type		Cross-flow
	Diameter Length(DXL)	mm	Φ92X616
	Fan Motor Cooling Speed (SH/H/MH/M/ML/L/SL/Q)	r/min	1350/1127/1000/870/780/690/600/550
	Fan Motor Heating Speed (SH/H/MH/M/ML/L/SL/Q)	r/min	1350/1151/1074/1000/930/870/842/-
	Output of Fan Motor	W	10
	Fan Motor RLA	A	0.3
	Fan Motor Capacitor	μF	/
	Input of Heater	W	/
	Evaporator Form		Aluminum Fin-copper Tube
	Pipe Diameter	mm	Φ7
	Row-fin Gap	mm	2-1.5
	Coil Length (LXD _X W)	mm	623X25.4X304.8
	Swing Motor Model		MP24HD
	Output of Swing Motor	W	1.5
	Fuse	A	3.15
	Sound Pressure Level (SH/H/MH/M/ML/L/SL)	dB (A)	41/37/35/33/30/22/19
	Sound Power Level (SH/H/MH/M/ML/L/SL)	dB (A)	56/50/48/46/43/35/32
	Dimension (WXHXD)	mm	860X305X170
	Dimension of Carton Box (LXWXH)	mm	932X385X280
	Dimension of Package (LXWXH)	mm	935X388X295
	Net Weight	kg	12.5
Gross Weight	kg	15	

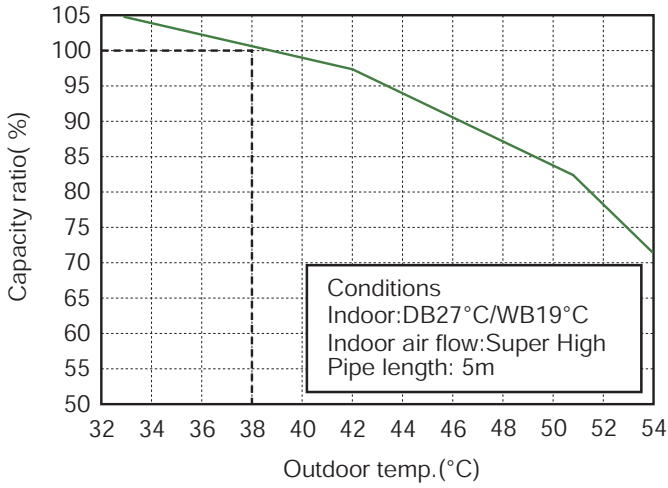
Outdoor Unit	Model		GWH09UB-K3DNA4F/O	
	Product Code		CB264W00600	
	Compressor Manufacturer/Trademark		ZHUHAI LANDA COMPRESSOR CO.,LTD.	
	Compressor Model		QXAT-B121zE070	
	Compressor Oil		FV50S	
	Compressor Type		Rotary	
	L.R.A.	A		35
	Compressor RLA	A		6.7
	Compressor Power Input	W		1430
	Overload Protector			1NT11L-6233
	Throttling Method			Electron expansion valve
	Operation temp	°C		16~30
	Ambient temp (cooling)	°C		-18~54
	Ambient temp (heating)	°C		-30~24
	Condenser Form			Aluminum Fin-copper Tube
	Pipe Diameter	mm		Φ7
	Rows-fin Gap	mm		2.5-1.4
	Coil Length (LXDXW)	mm		763X57X550
	Fan Motor Speed	rpm		780
	Output of Fan Motor	W		30
	Fan Motor RLA	A		0.24
	Fan Motor Capacitor	μF		/
	Air Flow Volume of Outdoor Unit	m ³ /h		2400
	Fan Type			Axial-flow
	Fan Diameter	mm		Φ438
	Defrosting Method			Automatic Defrosting
	Climate Type			T1
	Isolation			I
	Moisture Protection			IP24
	Permissible Excessive Operating Pressure for the Discharge Side	MPa		4.3
	Permissible Excessive Operating Pressure for the Suction Side	MPa		2.5
	Sound Pressure Level (H/M/L)	dB (A)		50/-/-
	Sound Power Level (H/M/L)	dB (A)		59/-/-
Dimension (WXHxD)	mm		899X596X378	
Dimension of Carton Box (LXWXH)	mm		945X417X630	
Dimension of Package (LXWXH)	mm		948X420X645	
Net Weight	kg		43	
Gross Weight	kg		46	
Refrigerant			R410A	
Refrigerant Charge	kg		1.3	
Connection Pipe	Length	m	5	
	Gas Additional Charge	g/m	20	
	Outer Diameter Liquid Pipe	mm	Φ6	
	Outer Diameter Gas Pipe	mm	Φ12	
	Max Distance Height	m	10	
	Max Distance Length	m	15	
Note: The connection pipe applies metric diameter.				

The above data is subject to change without notice; please refer to the nameplate of the unit.

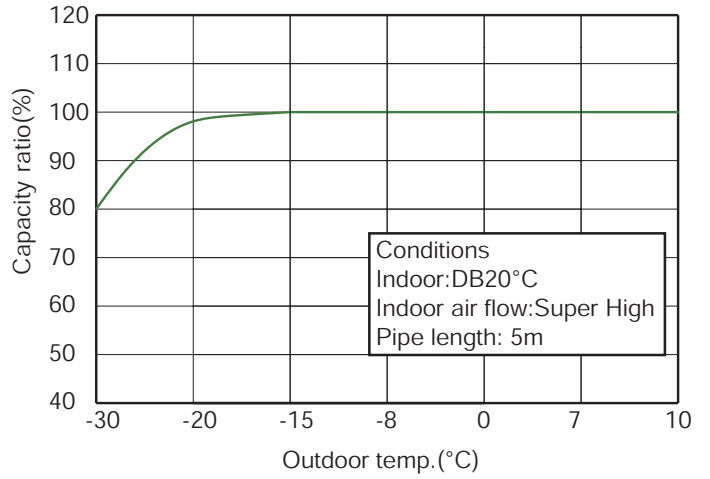
2.3 Capacity Variation Ratio According to Temperature

09K/12K

Cooling

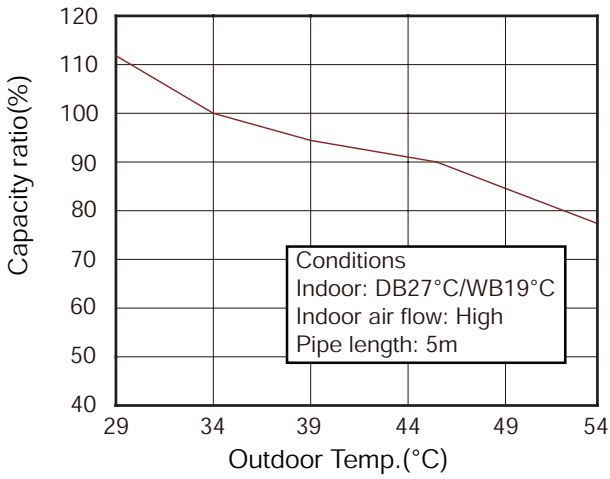


Heating

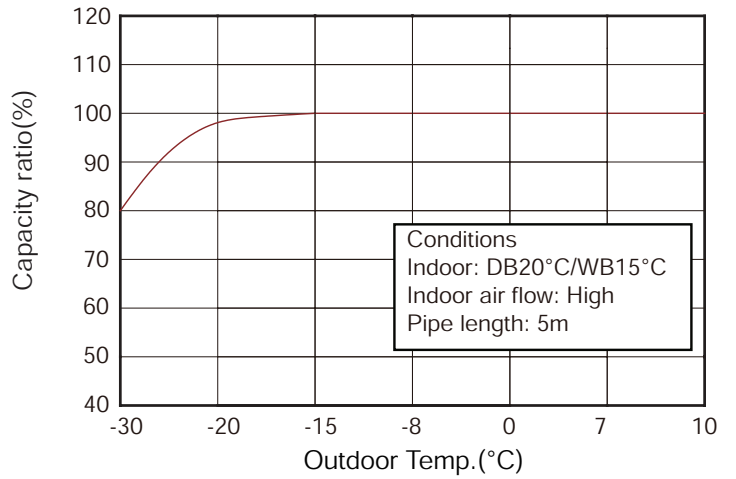


18K

Cooling

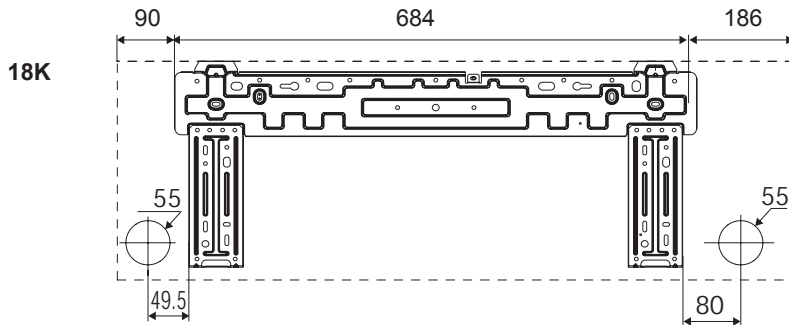
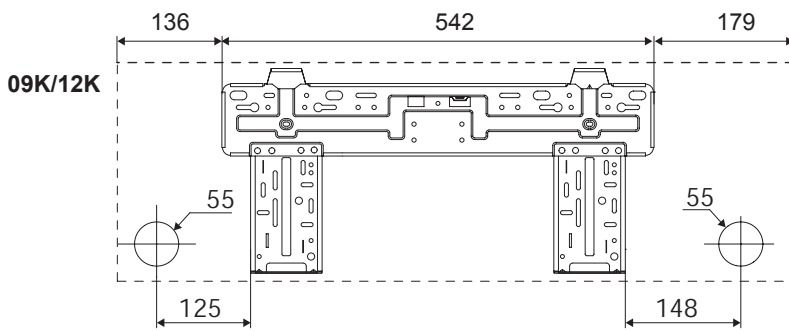
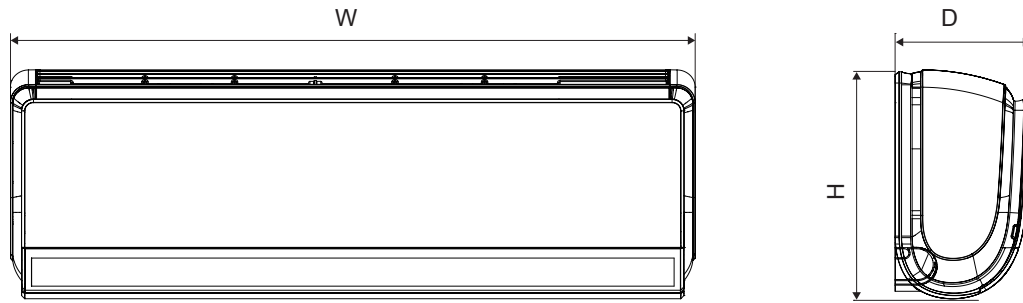


Heating



3. Outline Dimension Diagram

3.1 Indoor Unit

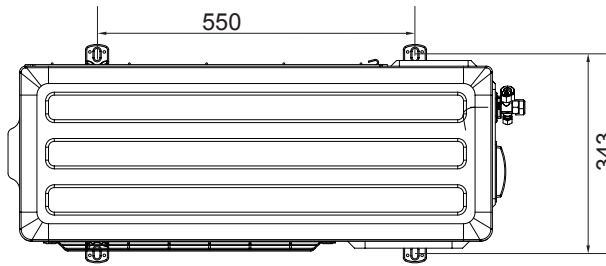
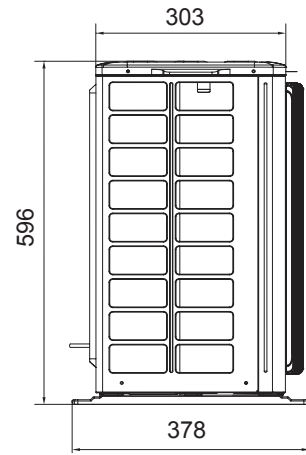
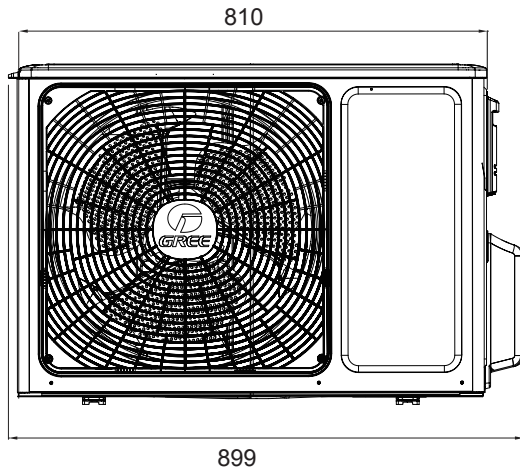


Unit:mm

Model	W	H	D
12K	860	305	170
18K	960	320	205

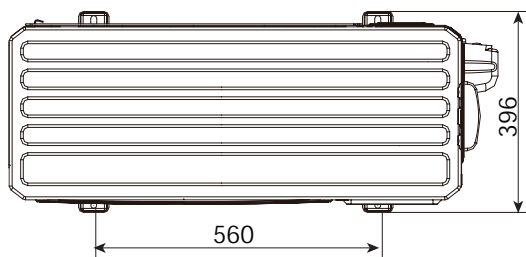
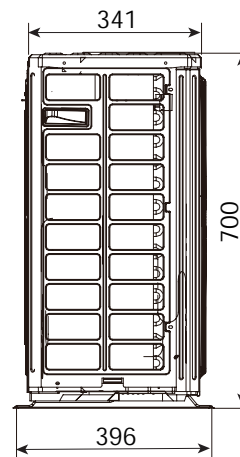
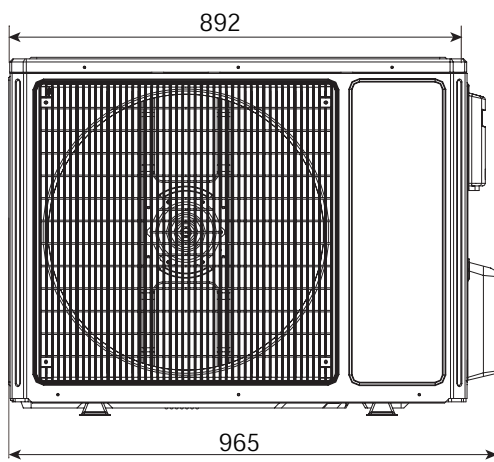
3.2 Outdoor Unit

09K/12K



Unit:mm

18K



Unit:mm